



# Hydrogen and decarbonization mission Torino- July 1st 2022

## AMET



In collaboration with



And in collaboration with the Regional  
Innovation Clusters of Piemonte



per una crescita intelligente,  
sostenibile ed inclusiva  
[www.regione.piemonte.it/europa2020](http://www.regione.piemonte.it/europa2020)  
INIZIATIVA CO-FINANZIATA CON FESR



*AMET – Applied Mechatronic Engineering & Technologies – is an **engineering company**, providing mechanic and mechatronic products design and testing.*

*Our customers are mainly from the transportation sector. The company skills include mechanics, electronics, automatic controls, software development and their integration.*

*We see ourselves as a partner in the development of our customers' projects and we are strongly focused on achieving the required targets through close collaboration and our strong innovation attitude.*



## **Locations**

*Italy: Turin (HQ), Modena  
Slovak Republic – Kosice  
USA – Detroit*

## **Facts:**

*Established in 1999  
20% Export Share  
High education:  
University master 85%, PhD 10%*

## **Markets**





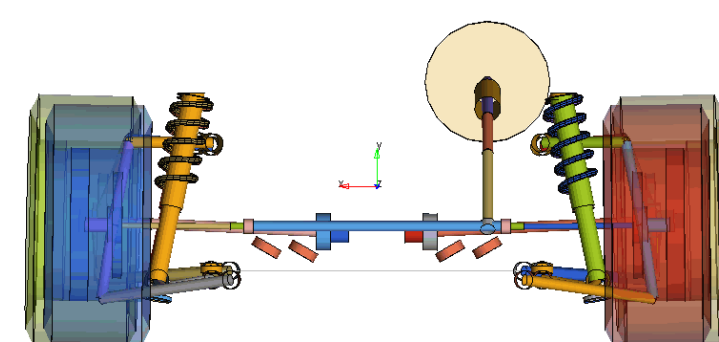
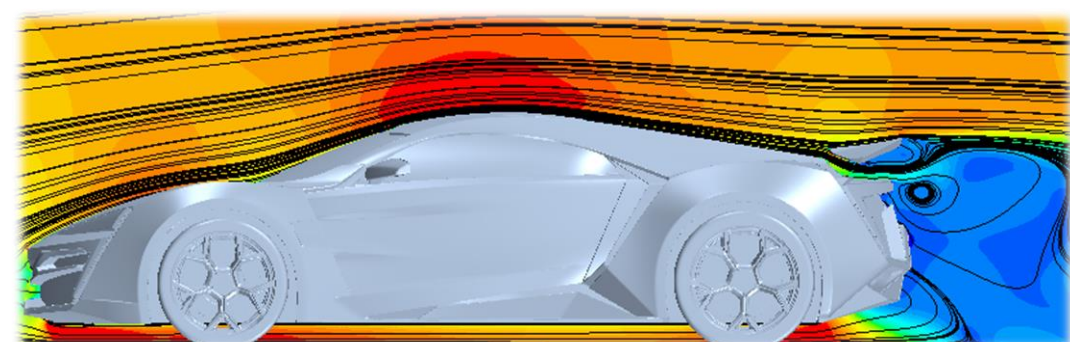
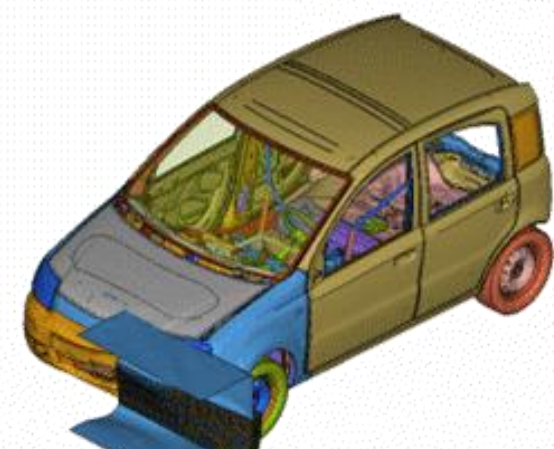
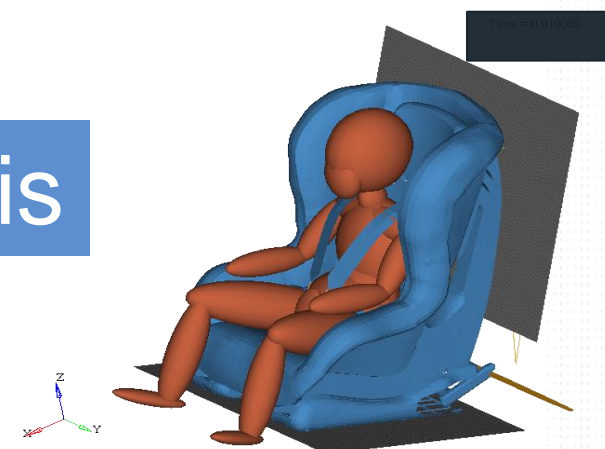
*AMET has a strategic commitment to research and development, aimed to always realize new and forward-looking products and processes.*

*Research and innovation are conveyed through a network in constant growth and evolution that exploit the potential of new sectors, new markets and new high-tech applications to strengthen the effective collaborations with universities and industrial partners, through participation in regional, national and European research programs.*

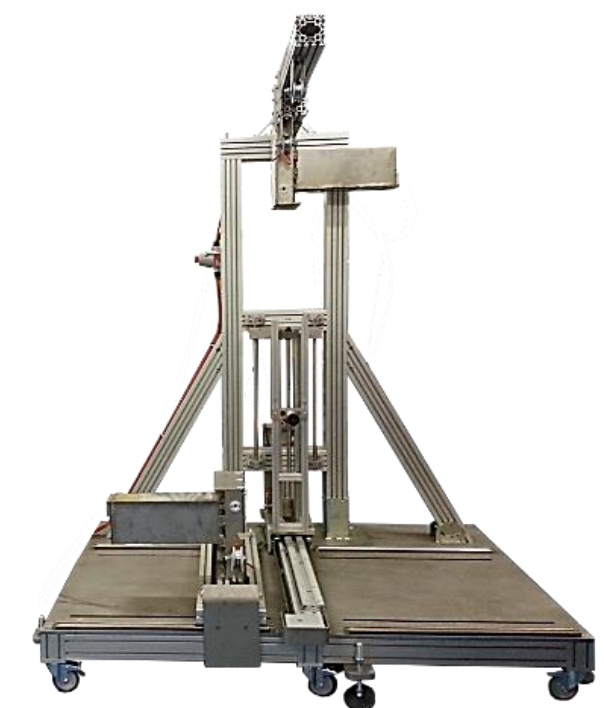
- Partner in several project of different domains:  
*Electric / Hybrid Vehicles, Vehicle lightening, Data Analysis, Hydrogen applications*
- Projects: *FABRIC, DISLOMAN, MOS-FC, H2FC*
- Products: *SW products, Data Management tool, test benches*
- Participation in innovation hubs – *CLEVER, MESAP* - and technological platforms

- R&D activities
- Virtual analysis
- SW development
- Data Analysis
- Testing solutions

Virtual analysis



Test benches





## What are we looking for

Hydrogen and decarbonization mission  
Torino- July 1° 2022



*AMET is strongly interested in developing skills and activities in the field of  
**hydrogen technologies***

*We would like to find **partners** and **projects proposals** for R&D activities  
and  
**new customers** for our more traditional businesses.*

*We would like to meet partners open to collaborations  
that integrates various skills.*





*AMET is engaged in the development of new project proposals, concerning:*

- *data management and analysis*
- *energy efficiency*
- *sustainable mobility*
- *LEAN manufacturing – models & simulations*

*AMET can offer its expertise in virtual analysis, modelling and simulations, data management, control design and SW development*



*Thanks for your attention*

[www.amet.it](http://www.amet.it)

*Daniela Parena*

[daniela.parena@amet.it](mailto:daniela.parena@amet.it) - +39 011 9007870

*AMET S.r.l. Via Livorno, 60 10144 Torino, ITALY*

